

## ▪ *perating instructions*



### **Beer/non-alcoholic/combi - wet ancillary cooler Ready-to-use systems type Hessen**

---

## **1.0 Intended use**

Selbach beverage cooling and drawing systems are suitable for the retailing of cooled beverages. These systems are being used among other things in the gastronomy and the leisure industries. Cooling units are only approved for the field of use stated above and not suited for cooling hot liquids, chemicals or similar substances.

## **2.0 Use**

### a) Unit installation

To ensure their proper functioning, Selbach units must be placed on a level and clean base. Sufficient space for connecting the beverage lines must be available. To avoid heat build-up, the units must always be well ventilated. Good air intake and exhaustion must be ensured. Do not cover air vents! Cleaning within the immediate vicinity of the machine must be made possible. The place of installation is to be chosen in a way which protects the units from getting wet. In addition, the mains connection cable must not be buckled or jammed on its direct route to the mains socket. The mains plug must always be within easy reach. The units must always be stored and operated free of frost.

### b) Conditions for connection

The Selbach units require a 220-240 V 50 Hz connection.

### c) Disposal

Selbach units consists predominantly of VA 1.4301 / 1.4016 / ST 12-ZE, and are therefore mostly recyclable. Refrigeration components can easily be disposed of with reputable recycling companies. The units are insulated free of chlorofluorocarbons.

## **3.0 Commissioning**

- 1) Remove cover and fill tank with water up to just below the overflow.
- 2) Connect beverages, check for possible leaks  
Connect CO<sub>2</sub> lines to beverage container<sup>2</sup>  
Screw CO<sub>2</sub> high-pressure hose to CO<sub>2</sub> bottle<sup>2</sup>  
Set pressure reducer to the desired pressure<sup>2</sup>
- 3) Connect to mains
- 4) Set desired temperature at the thermostat\*  
After the operating temperature has been reached (thermostat operation) or the ice bed has been prepared (ice bed regulator), the unit is ready for use.

\* only for units with thermostat control

<sup>2</sup> only for units of design type Hessen

## ▪ *perating instructions*

**Beer/non-alcoholic/combi - wet  
ancillary cooler  
Ready-to-use systems type Hessen**

### 4.0 Fault finding and remedy

<b>Fault</b>	<b>Possible Cause</b>	<b>Fault Remedy</b>
The unit does not start	no mains connection	connect to mains
	tank not filled (only for ice bed control)	fill tank with water
	thermostat switched off (only for thermostat operation)	switch on thermostat
	thermostat does not switch on	replace thermostat*
	starter device at compressor faulty	replace starter device (relays and condensator)*
Unit runs, but does not cool	compressor faults (short circuit in coil)	replace compressor <sup>2</sup>
	insufficient power	select larger unit
	thermostat or ice bed regulator faulty	replace thermostat or ice bed regulator*
	stirrer motor or stirrer motor pump fails	replace stirrer motor or stirrer motor pump*
	condenser contaminated	clean condenser
	condenser ventilation fails	replace ventilation*
	leaks in cooling system	fix leaks, evacuate and fill with (R134a) coolant <sup>2</sup>
compressor fault	replace compressor <sup>2</sup>	
Unit does not switch off	thermostat or ice bed regulator faulty	replace thermostat or ice bed regulator*
	leaks in cooling system	fix leaks, evacuate and fill with (R134a) coolant <sup>2</sup>
Unit freezes	thermostat or ice bed regulator faulty	replace thermostat or ice bed regulator*
Beverage foams too much	beverage dispensing temperature too high	unit must reach operating temperature (switch off unit)
	delivery pressure too high	regulate delivery pressure
	beverage murky or bubbling	connect fresh beverage
Beverage frothing	beverage dispensing temperature too low	readjust thermostat
	delivery pressure too low	regulate delivery pressure

\*These measures must only be carried out by a qualified electrician

<sup>2</sup>These measures must only be carried out by a refrigeration specialist

## ▪ *perating instructions*

*Beer/non-alcoholic/combi - wet  
ancillary cooler  
Ready-to-use systems type Hessen*

---

### 5.0 Maintenance

Regularly clean condenser lamellas with a brush or compressed air and remove dust. Regularly check water level in tank.

### 6.0 Decommissioning

- 1) Remove mains plug
- 2) Shut down CO<sub>2</sub> supply\*
- 3) For systems with plug-in couplings: Separate beverage coupling at the beverage container\*  
For systems without plug-in couplings: Close beverage stop valves\*
- 4) Open valves until pressure compensation has been reached
- 5) Separate beverage lines
- 6) Drain water from tank

\*Only for units of design Hessen

### 7.0 Cleaning

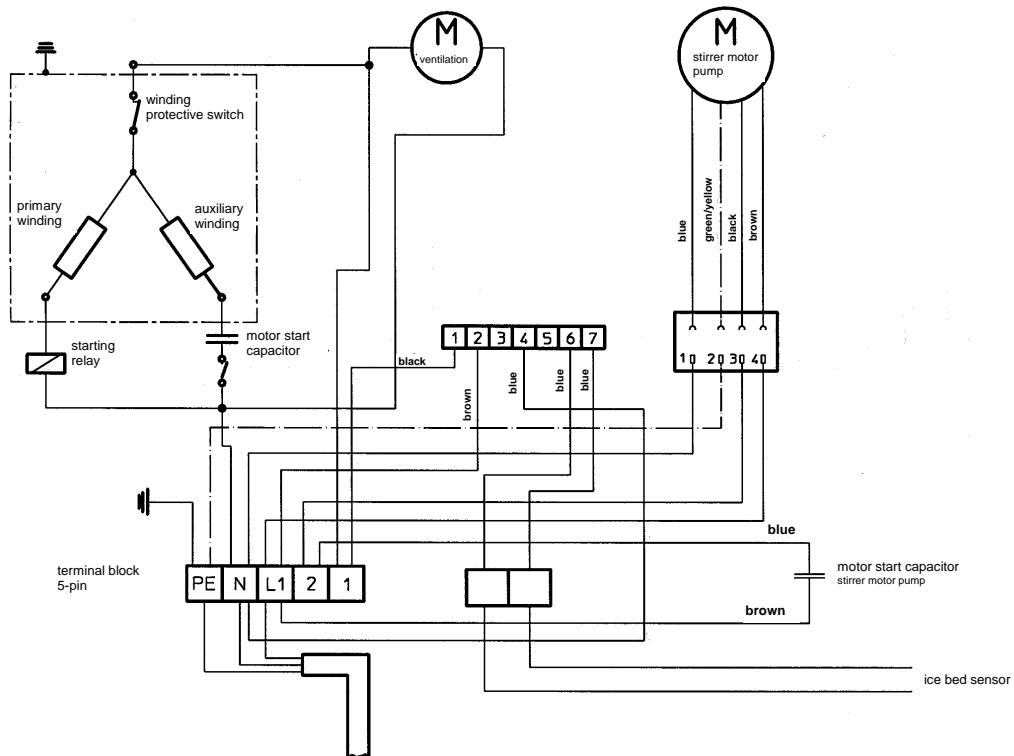
Housing: Remove mains plug prior to cleaning the units! Do not use water directly on the unit, clean with a wet cloth and some detergent instead.

Do **not** use acidic detergents for the beverage hoses

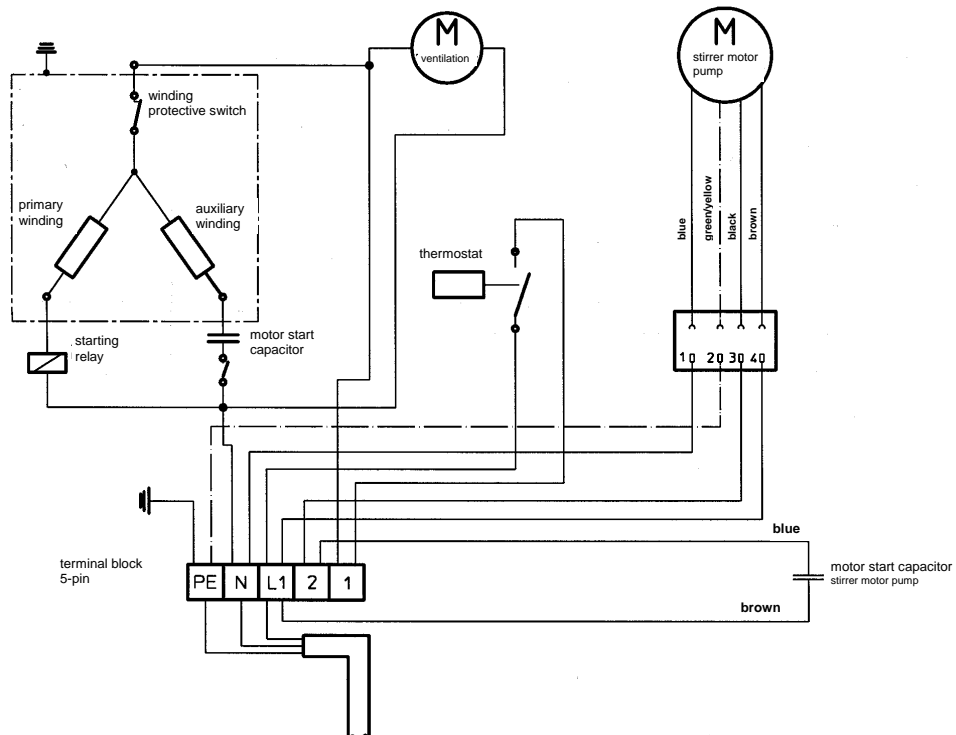
▪ **perating instructions**

**Beer/non-alcoholic/combi - wet  
ancillary cooler  
Ready-to-use systems type Hessen**

**8.0 Machine data**



Wiring diagram Pem/Pom wet with ice bed regulator



Wiring diagram dry / beer wet with ancillary cooling